

## T26P

Professional Office IP Phone

3-Line Supervisor IP Phone with DSS keys and large LCD screen

HD Voice

PoE 3

Headset Port



T26P is a professional IP phone with contemporary design accompanies advanced HD voice quality and the leading "Texas Instruments TI Titan" chipset, with broad compatibility with popular 3rd party VoIP products.

# T26P

## Network Features

SIP v1(RFC2543), v2(RFC3261)  
3 User accounts  
NAT Transverse: STUN mode  
IP Assignment: Static/DHCP/PPPoE  
In-Band DTMF, Out-of-Band DTMF, SIP Info  
Proxy mode and Peer-to-peer SIP link mode  
TFTP/DHCP/PPPoE client  
Telnet/HTTP server  
DNS client  
NAT/DHCP server  
Support VLAN, QoS  
PoE(Power over Ethernet)

## Voice Features

Wideband Codec: G.722, voice spectrum between 50-7000Hz  
Narrowband Codecs: G.711, G.726, G.723.1/iLBC, G.729AB and GSM  
VAD, CNG, AEC, PLC, AJB, AGC  
Full-duplex hands-free speakerphone  
-compliant with IEEE 1329  
Support Hearing Aid Compatible (HAC)

## Security

Secure RTP  
Digest authentication using MD5/MD5-  
sess  
Secure configuration file via AES  
encryption

## Telephony Features

Call Hold, Call Waiting, Call Transfer, Call Forward  
Caller ID, Call List, DND, Redial, Flash  
3-way Conference, Speed Dial  
MP3 Ring Tone Selection, Voicemail  
Volume Adjustment, Mute, Speakerphone  
Logo Customization, Black List, Phone Lock  
Admin/User Configuration Mode  
Contact List Export/Import  
System Log Export/Import  
Hotline, Signal Tone Settable  
Multi-language

## IP PBX System Integration

SMS, BLF/BLA, Paging, Intercom  
Downloadable enterprise phonebook  
Call Park, Call Pickup, Distinctive Ringtone  
Auto-answer, Dial Plan, Dial-now

## Config, Upgrade and Usage

Language Customization Support  
Auto-provision: TR069 Optional  
Browser/Console/Telnet/Auto-provision/  
Keypad  
Firmware Upgrade: TFTP/Console/Auto-  
provision  
Direct IP call without SIP proxy  
Dial number via SIP server  
Dial URL via SIP server

## Physical Features

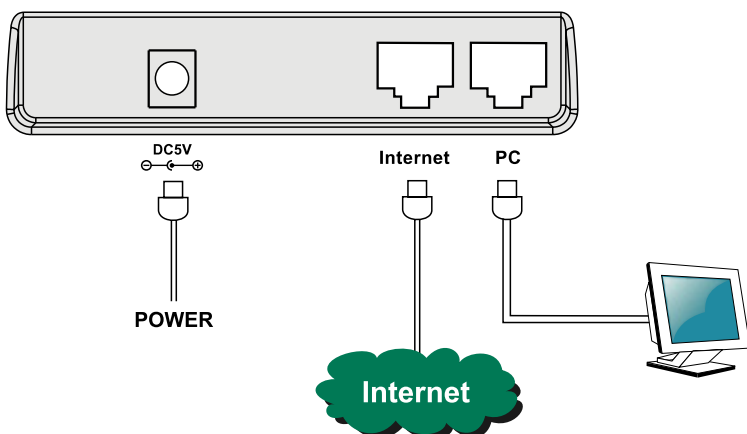
TI Titan Chipset  
LCD: 132x64 with white backlight  
13 programmable keys with LED  
4 text-sensitive keys  
23 hard keys, 3 indication LEDs  
Headset port: RJ9  
Speaker: 8Ohm/1Watt  
Network Interface: 2xRJ45 10/100M  
ports  
Expansion Module Port  
Dimension: 310 x 290 x 110 mm  
Weight: 1.52 kg  
Power adapter: Input: AC 100~240V  
Output: DC 5V/1A  
Operating humidity: 10~95%  
Storage temperature: up to 60 C

## Package Features

Qty per Carton: 5  
Carton Weight: 8.7 Kgs  
Carton Dims: 335 x 595 x 570 mm

## Certifications

WEEE



**Yealink**  
EASY VoIP