

T20P

Entry Level Office IP phone

Low cost 2-Line IP phone

HD Voice

PoE 2

Headset Port



The T20P features a 2 line LCD display and 5 function keys for simple integration into various SIP based network solutions where basic business feature requirements and demanding budgets are the main influences on buying decisions.

T20P

Voice Features

Wideband Codec: G.722, voice spectrum between 50-7000Hz
Narrowband Codecs: G.711, G.726, G.723.1/iLBC, G.729AB and GSM VAD, CNG, AEC, PLC, AJB, AGC
Full-duplex hands-free speakerphone

Telephony Features

Call Hold, Call Waiting, Call Transfer, Call Forward
Caller ID, Call List, DND, Redial, Flash
3-way Conference, Speed Dial
Personal Ring Tone, Voicemail
Volume Adjustment, Mute, Speakerphone

IP PBX System Integration

Dial Plan, Dial-now, Paging
Downloadable enterprise phonebook
Call Park, Call Pickup, Distinctive Ringtone
Auto-answer, intercom

Config, Upgrade and Usage

Firmware Upgrade: TFTP/Console/Auto-provision
Auto-provision: TR069 Optional
Direct IP call without SIP proxy
Dial number via SIP server
Dial URL via SIP server

Security

Secure RTP
Digest authentication using MD5/MD5-
sess
Secure configuration file via AES
encryption

Physical Features

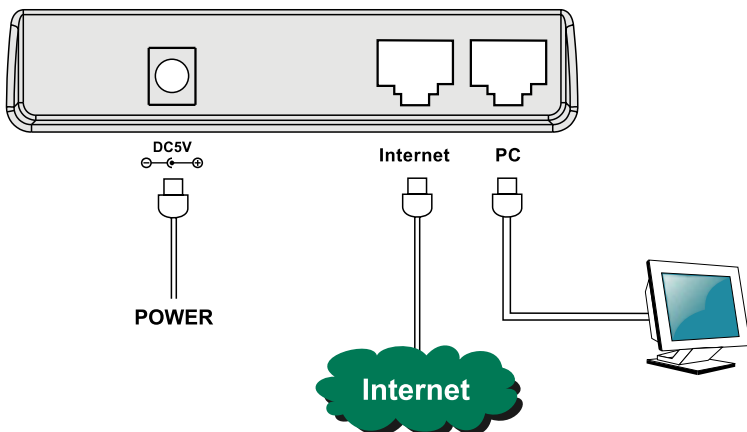
TI Titan Chipset
LCD: 2 Lines, 2x16
2 programmable keys
23 hard keys, 2 indication LEDs
Headset port: RJ9
Network Interface: 2xRJ45 10/100M ports
Dimension: 185 X 200 X 90 mm
Net Weight: 1.22 kg
Power adapter: Input: AC 100~240V
Output: DC 5V/1A
Operating humidity: 10~95%
Storage temperature: up to 60 C

Package Features

Qty per Carton: 10 PCS
Carton Weight:
Carton Dims: 565 x 570 x 255MM

Certifications

WEEE



Yealink

EASY VoIP