

## T18P

Entry level Business Class IP Phone



As Standard



As Standard

T18P is a compact IP business phone with the renowned TI Titan chipset. Supporting a feature set that defies its price, the T18P is the intelligent purchase for reliable IP business performance.

# T18P

## Voice Features

Voice Codecs: G.711, G.723.1, G.726, G.729AB, G.722, VAD, CNG, AEC, PLC, AJB, AGC

## Telephony Features

1 VoIP User Account  
Direct IP call without SIP proxy  
Call Hold  
Call Waiting  
Call Transfer  
Block Anonymous Calls  
Hotline  
Redial  
2 Speed Dials  
Volume Control  
Call Mute  
Ringtone Selection (via web)  
Tone scheme  
Integrated Voice Response System

## Network Features

SIP v1 (RFC2543), v2 (RFC3261)  
NAT transverse: STUN mode  
IP Assignment: Static/DHCP/PPPoE  
In-Band DTMF, Out-of-Band DTMF (RFC2833)  
SIP Info  
Proxy mode and Peer-to-peer  
SIP link mode  
TFTP/DHCP/PPPoE client  
DNS client  
NAT/DHCP server

## IP PBX System Integration

Music on Hold  
Intercom  
Group Paging  
Call Pickup  
Call Park  
Call Forward  
DND  
Distinctive Ringing  
Dial plan  
Dial now  
Voicemail  
Message Waiting Indication (MWI)

## Config, Upgrade and Usage

Configuration: browser/phone /auto-provision/IVR  
Auto provision via TFTP/FTP/ HTTP/PnP  
Auto provision: firmware configuration, ringtone etc.

## Security

QoS: IEEE 802.1p/q tagging (VLAN), Layer 3ToS  
Digest authentication using MD5/MD5-sess  
Secure configuration file via AES encryption  
Admin/user configuration mode

## Physical Features


TI TITAN chipset  
20 keys including 2 programmable keys  
4 feature keys (Mute/Redial/ Transfer/Hold)  
1xLEDs for power and status indication  
1xRJ45 10/100M Ethernet ports  
Phone label for speed dialing numbers  
Power adapter: AC 100~240V input and DC 5V/1.2A Output  
Power over Ethernet (IEEE 802.3af class 1) optional  
Operating humidity: 10~95%  
Storage temperature: up to 60 C

## Package features

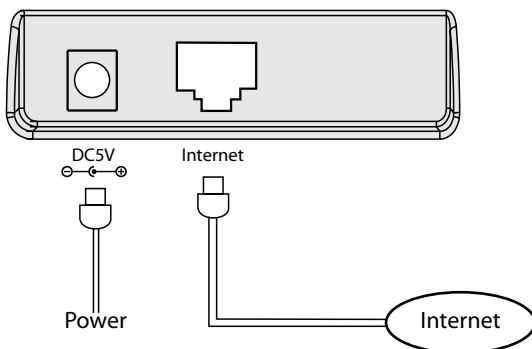
Qty/CTN: 5 PCS  
N.W/CTN: 7.87KG  
G.W/CTN: 9.00KG  
Measurement: 0.073CMB  
Carton Meas: 470x287x222MM

## Certifications

 WEEE Compliant

 ROHS Compliant



**Yealink**  
EASY VoIP