

T26P

Professional Office IP Phone

3-Line Supervisor IP Phone with DSS keys and large LCD screen

HD Voice

PoE 3

Headset Port



T26P is a professional IP phone with contemporary design accompanies advanced HD voice quality and the leading "Texas Instruments TI Titan" chipset, with broad compatibility with popular 3rd party VoIP products.

T26P

Network Features

SIP v1(RFC2543), v2(RFC3261)
3 User accounts
NAT Transverse: STUN mode
IP Assignment: Static/DHCP/PPPoE
In-Band DTMF, Out-of-Band DTMF, SIP Info
Proxy mode and Peer-to-peer SIP link mode
TFTP/DHCP/PPPoE client
Telnet/HTTP server
DNS client
NAT/DHCP server
Support VLAN, QoS
PoE(Power over Ethernet)

Voice Features

Wideband Codec: G.722, voice spectrum between 50-7000Hz
Narrowband Codecs: G.711, G.726, G.723.1/iLBC, G.729AB and GSM
VAD, CNG, AEC, PLC, AJB, AGC
Full-duplex hands-free speakerphone
-compliant with IEEE 1329
Support Hearing Aid Compatible (HAC)

Security

Secure RTP
Digest authentication using MD5/MD5-
sess
Secure configuration file via AES
encryption

Telephony Features

Call Hold, Call Waiting, Call Transfer, Call Forward
Caller ID, Call List, DND, Redial, Flash
3-way Conference, Speed Dial
MP3 Ring Tone Selection, Voicemail
Volume Adjustment, Mute, Speakerphone
Logo Customization, Black List, Phone Lock
Admin/User Configuration Mode
Contact List Export/Import
System Log Export/Import
Hotline, Signal Tone Settable
Multi-language

IP PBX System Integration

SMS, BLF/BLA, Paging, Intercom
Downloadable enterprise phonebook
Call Park, Call Pickup, Distinctive Ringtone
Auto-answer, Dial Plan, Dial-now

Config, Upgrade and Usage

Language Customization Support
Auto-provision: TR069 Optional
Browser/Console/Telnet/Auto-provision/
Keypad
Firmware Upgrade: TFTP/Console/Auto-
provision
Direct IP call without SIP proxy
Dial number via SIP server
Dial URL via SIP server

Physical Features

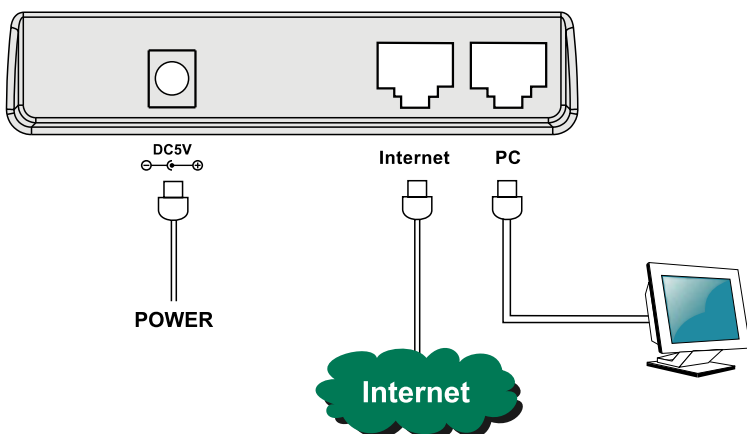
TI Titan Chipset
LCD: 132x64 with white backlight
13 programmable keys with LED
4 text-sensitive keys
23 hard keys, 3 indication LEDs
Headset port: RJ9
Speaker: 8Ohm/1Watt
Network Interface: 2xRJ45 10/100M
ports
Expansion Module Port
Dimension: 310 x 290 x 110 mm
Weight: 1.52 kg
Power adapter: Input: AC 100~240V
Output: DC 5V/1A
Operating humidity: 10~95%
Storage temperature: up to 60 C

Package Features

Qty per Carton: 5
Carton Weight: 8.7 Kgs
Carton Dims: 335 x 595 x 570 mm

Certifications

WEEE



Yealink
EASY VoIP